

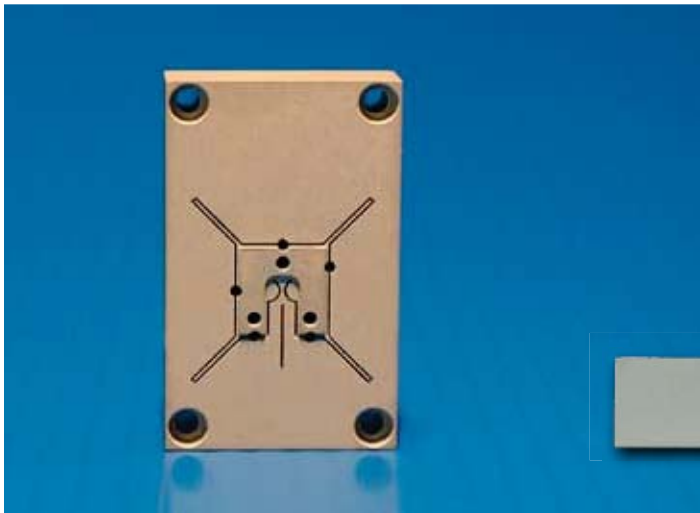
## Features

- ▶ Precision rotation: 2 mrad range
- ▶ Accessible and well defined axis of rotation
- ▶ Mount in any orientation
- ▶ High resolution: 4 nanoradians
- ▶ **pico**™ sensor technology
- ▶ Closed loop control

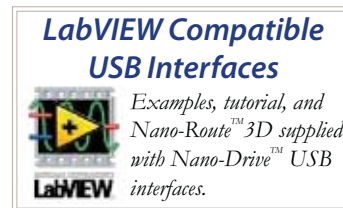
## Typical Applications

- ▶ Laser beam scanning
- ▶ Lithography
- ▶ FBG writing

02.583.2511 פז"מ-טק (1991) בע"מ  
<Michael.Storch@pazam-tech.co.il>



Nano-Theta (actual size) constructed from aluminum.



Side view

## Product Description

The Nano-Theta is a unique piezo-actuated rotational stage having 2 milliradians of total motion. With nanoradian resolution, the Nano-Theta is designed for applications in lithography, optical disk manufacturing, and laser beam tracking or scanning. The innovative design of the Nano-Theta incorporates a readily accessible and

well-defined axis of rotation which allows a mirror to be mounted so that it is co-planar with the axis of rotation. Internal position sensors utilizing proprietary **pico**™ technology provide absolute, repeatable position measurement with nanoradian accuracy under closed loop control.

פז"מ-טק (1991) בע"מ

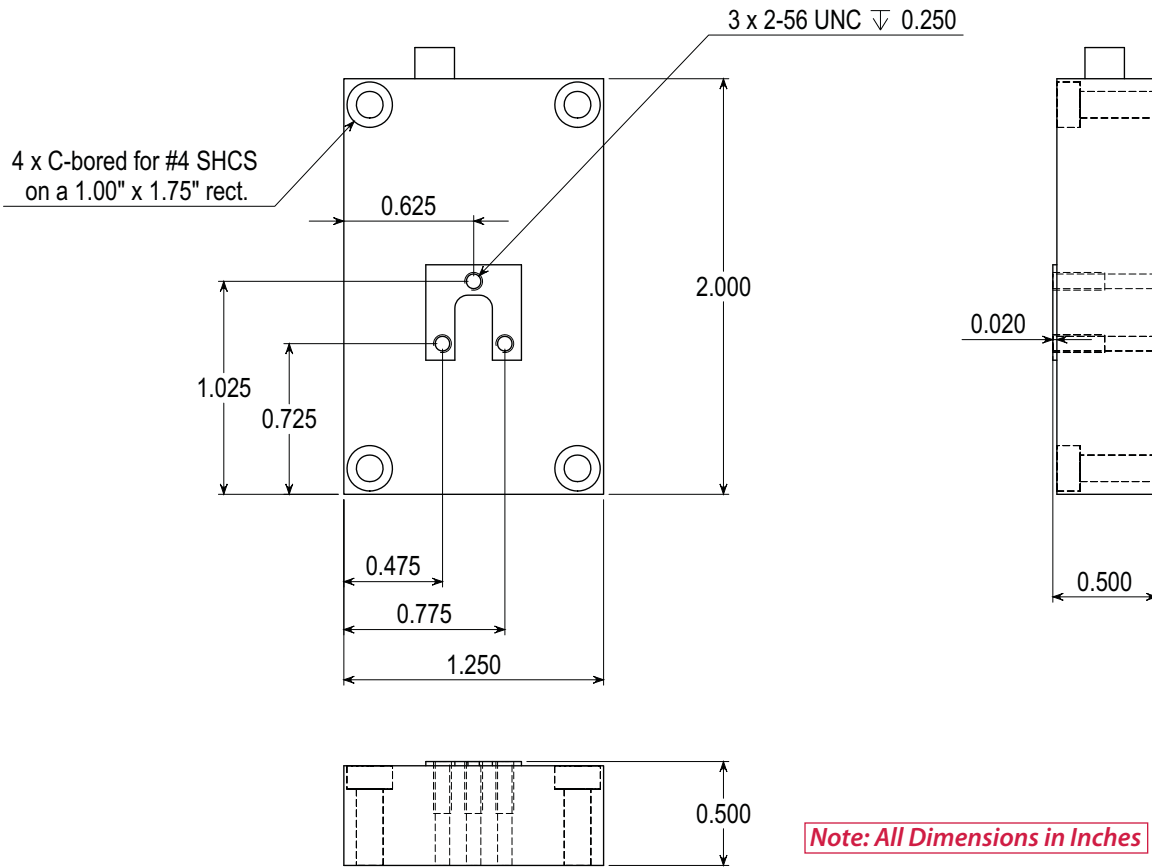
מייקל סטורץ | 02.583.2511

PaZaM-tech@pobox.com

www.PaZaM-tech.co.il

## Technical Specifications

Range of motion ..... 2.0 mradians  
 Resolution ..... 4 nradians  
 Resonant Frequency (unloaded) ..... 2 kHz  $\pm$ 20%  
 Body Material ..... Al or Invar  
 Controller ..... Nano-Drive™



פד"מ-טק (1991) בע"מ

מייקל סטורץ' | 02.583.2511

PaZaM-tech@pobox.com

www.PaZaM-tech.co.il